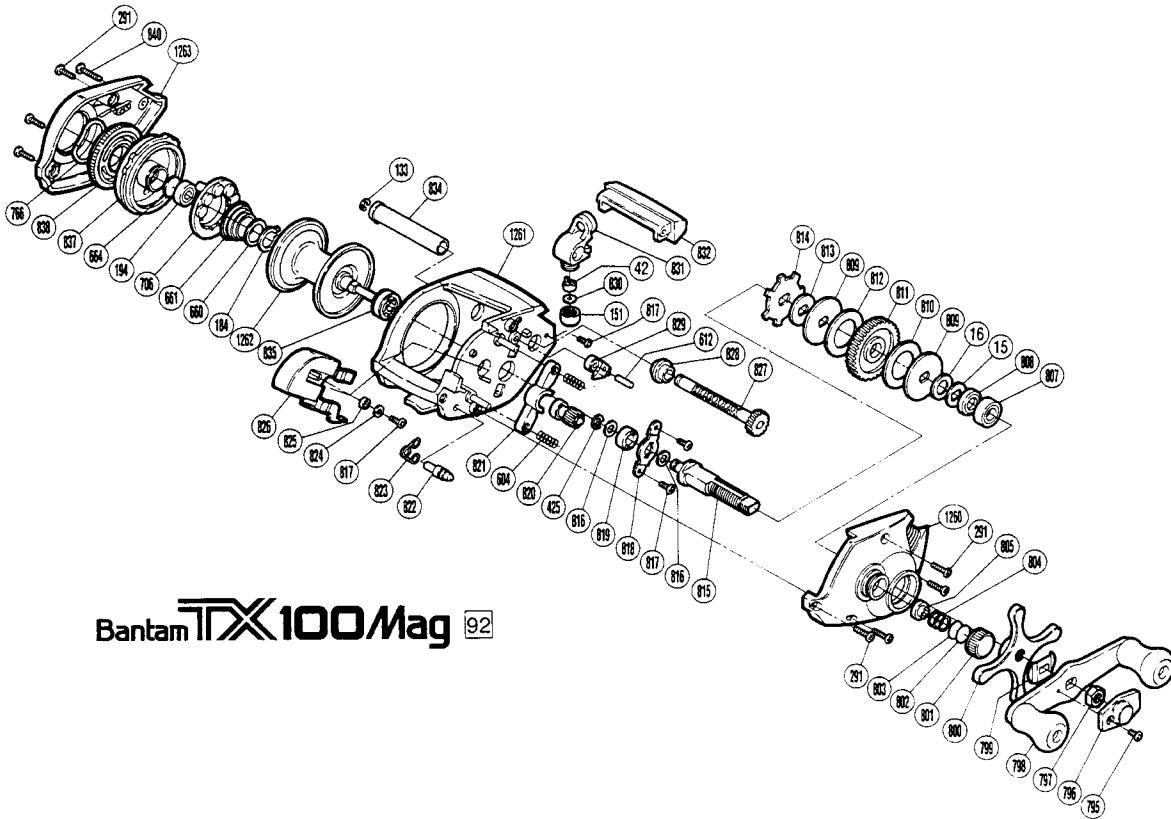


SHIMANO®

1992 REPAIR MANUAL

Shimano American Corporation, One Shimano Dr.
Irvine, CA 92718



Bantam **TX** 100 Mag 92

BNT No.	PARTS NAMES	BNT No.	PARTS NAMES	BNT No.	PARTS NAMES
0015	Drag Spring Washer	0804	Spool Tension Spring	0830	Spacer (optional)
0016	Friction Washer (C)	0805	Spool Shaft Bushing (A)	0831	Line Guide
0042	Line Guide Pawl	0807	Drive Shaft Bearing	0832	Level Wind Protector
0133	Worm Shaft Retainer	0808	Friction Washer (B)	0834	Level Wind Guard
0151	Pawl Cap	0809	Key Washer (A)	0835	Spool Shaft Bushing (B)
0184	Magnet Retainer Lock	0810	Drag Washer (A)	0837	Dial Case
0194	Ball Bearing	0811	Drive Gear	0838	Magnetic Control Dial
0291	Side Plate Screw	0812	Drag Washer (B)	0840	Left Side Plate Screw
0425	Drive Shaft Lock	0813	Key Washer (B)	1260	Right Side Plate
0604	Yoke Spring	0814	Anti-Reverse Ratchet	1261	One-Piece Frame
0612	Anti-Reverse Pawl Pin	0815	Drive Shaft	1262	Spool
0660	Spring Spacer	0816	Drive Shaft Washer	1263	Left Side Plate
0661	Magnet Retainer Spring	0817	Multi Purpose Screw		
0664	Spacer (B)	0818	Drive Shaft Retainer		
0706	Magnet Retainer	0819	Drive Shaft Bushing		
0766	Dial Friction Washer	0820	Pinion Gear		
0795	Handle Nut Plate Screw	0821	Yoke		
0796	Handle Nut Plate	0822	Retractor Spring Pin		
0797	Handle Nut	0823	Retractor Spring		
0798	Handle Assembly	0824	Yoke Plate Washer (B)		
0799	Friction Washer (A)	0825	Yoke Plate Washer (A)		
0800	Star Drag	0826	Clutch Button		
0801	Cast Control Cap	0827	Worm Shaft		
0802	Spool Tension Spacer (B)	0828	Worm Bearing		
0803	Spool Tension Spacer (A)	0829	Anti-Reverse Pawl		